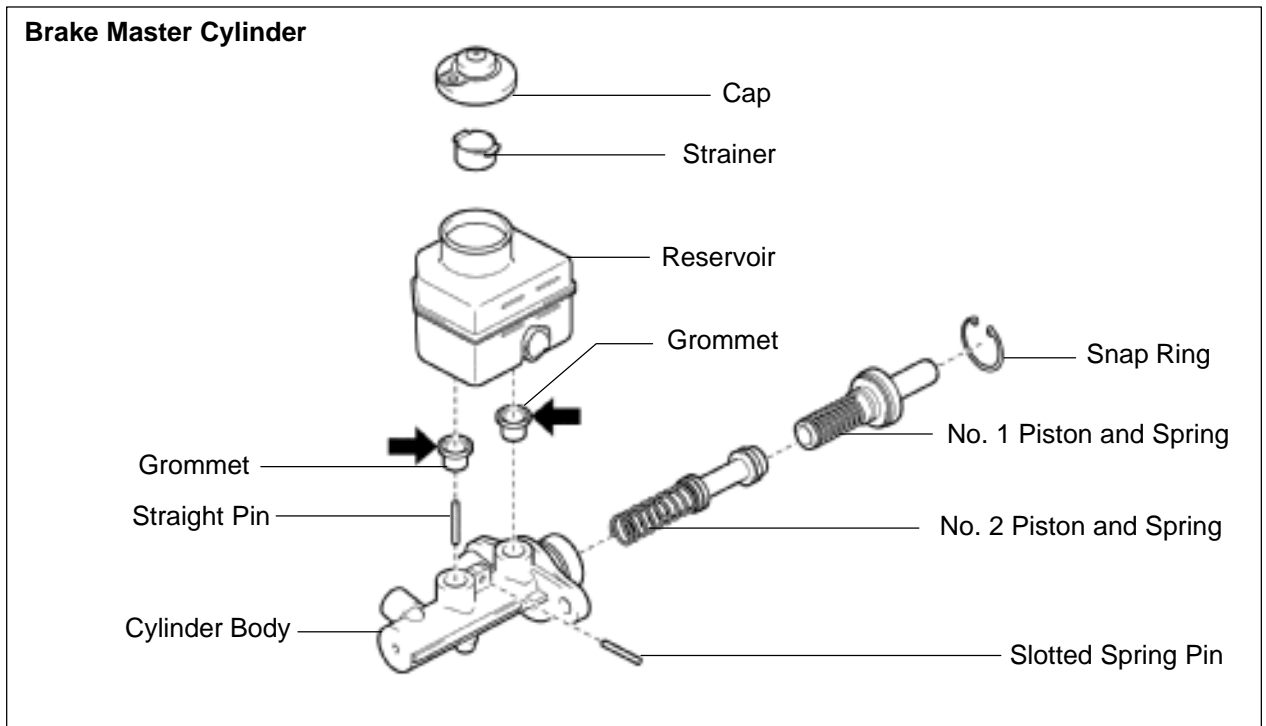
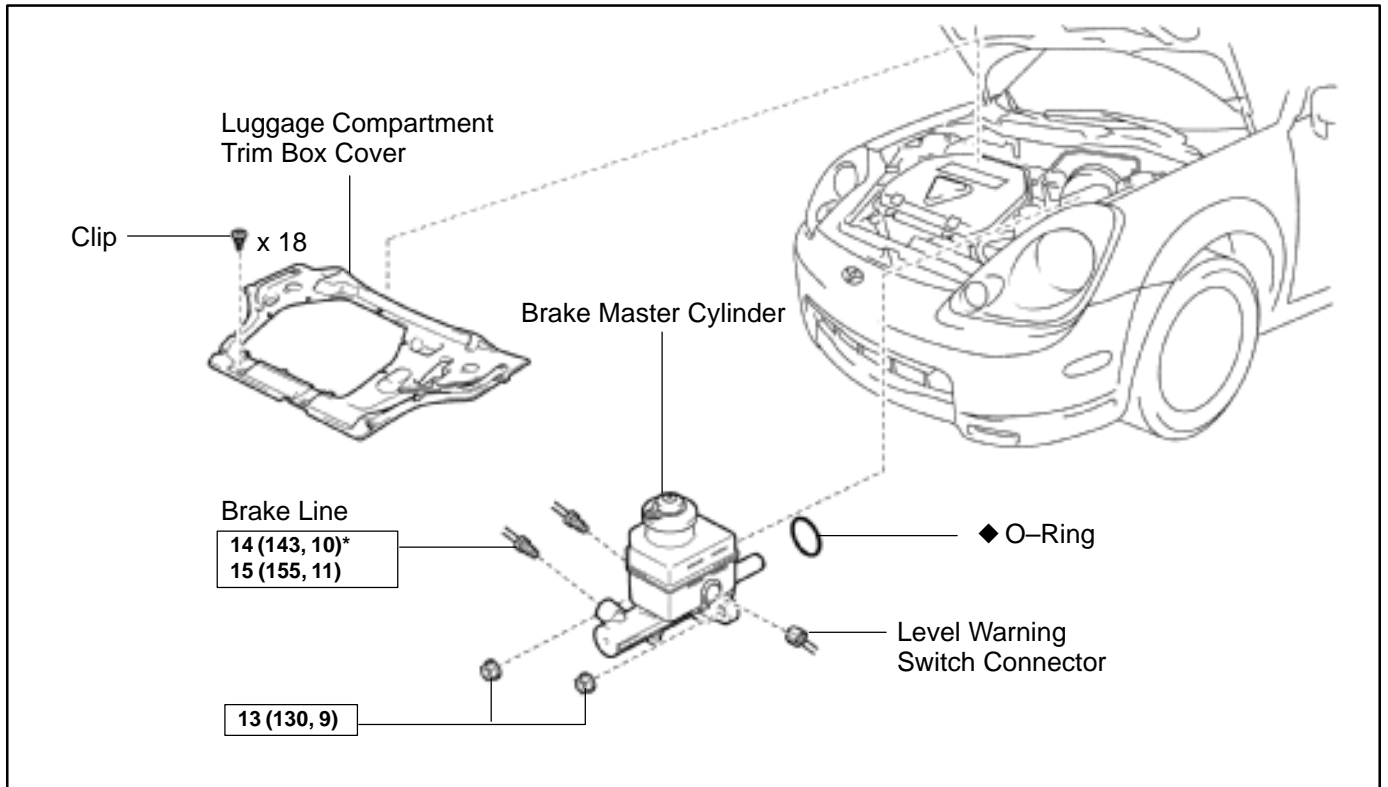


BRAKE MASTER CYLINDER COMPONENTS

BR001-03



N·m (kgf·cm, ft·lbf) : Specified torque

◆ Non-reusable part

*For use with SST

◀ Lithium soap base glycol grease

F09124